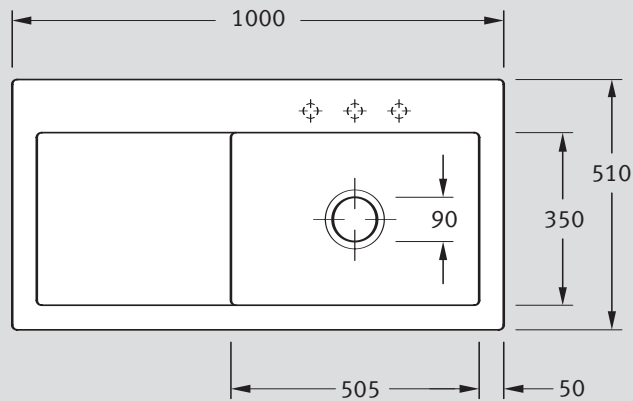


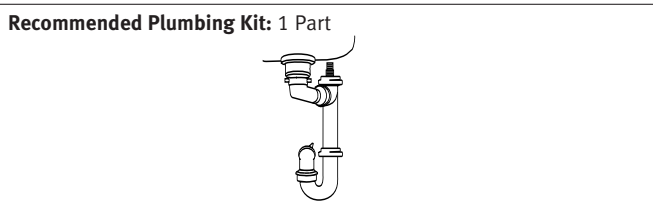
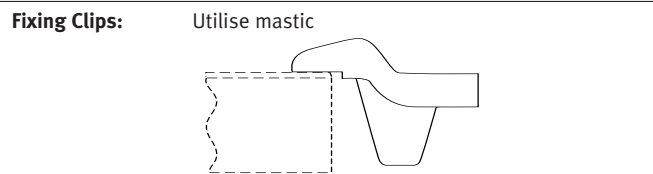
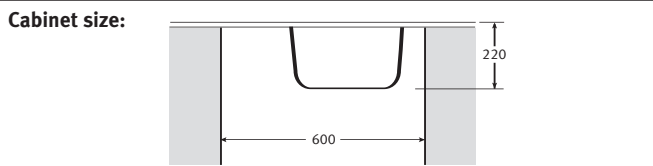
Mythos MTK 611 Specifications

- Stylish modern minimalist design
- Angular radii
- Jumbo bowl
- 1 x 90mm Basket Strainer Waste
Capable of adaptation to take a Waste Disposal Unit.

N.B. Ceramic sinks may vary +/- 1% due to the firing process.



Materials:	Fireclay Ceramic
Application:	Inset
Bowl size:	505 x 350 x 200
Drainer Format:	Left or Right handed drainer available
Cut-out size:	970 x 480
Colour:	White or Black Chromite
Seal:	Utilise mastic sealant
Insulation:	Integral
Heat resistance:	Up to 1000°C
Earthing Point:	N/A



Waste: 1 x Lira 90mm Basket¹ Strainer Waste with overflow

Overflow:

¹Titanium finish option available at extra cost

Accessories: None available

Guarantee: Franke sinks are guaranteed for 25 years against manufacturing defect. Franke taps are guaranteed against defective materials and workmanship for 1 year in relation to coatings and finishes, and 5 years in relation to moving parts. Franke will replace (and where appropriate repair) defective sinks. In relation to taps, Franke will where appropriate provide replacement parts for your taps or replace your taps. Any associated or ancillary costs to be incurred by you as a result of replacement of Franke sinks and taps under this guarantee shall in all cases be previously approved by Franke UK Limited. This guarantee is in addition to and does not affect your statutory rights.

The Franke policy is one of continued improvement, and Franke reserve the right to alter models and specifications without notice.